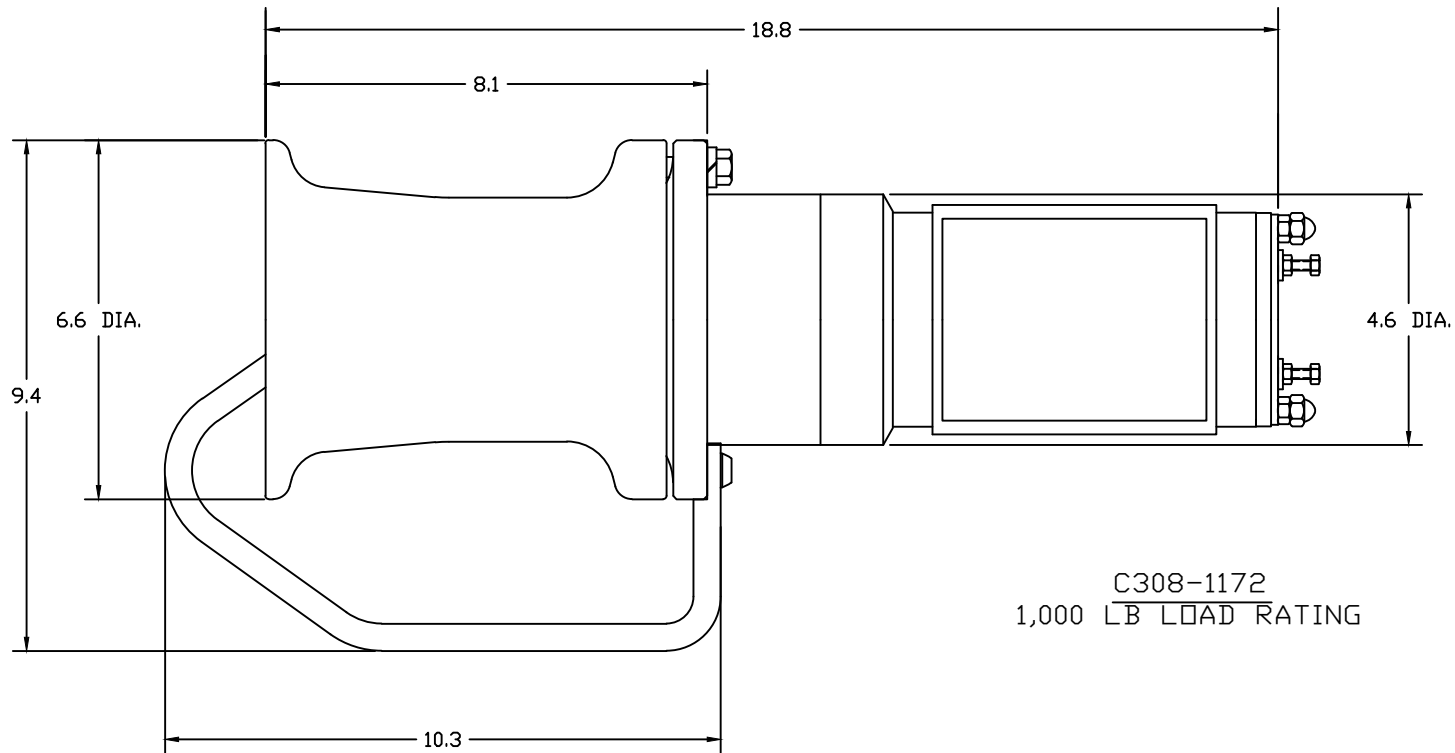



C308-1172 WIRING DIAGRAM



C308-1172
1,000 LB LOAD RATING

CHANCE		 HUBBELL POWER SYSTEMS POWER SYSTEMS, INC.	
CONFIDENTIAL: THIS DRAWING AND ITS CONTENTS ARE CONFIDENTIAL AND THE EXCLUSIVE PROPERTY OF HUBBELL POWER SYSTEMS. NO PUBLICATION, DISTRIBUTION OR COPIES MAY BE MADE WITHOUT THE WRITTEN CONSENT OF HUBBELL POWER SYSTEMS. HUBBELL POWER SYSTEMS UNPUBLISHED. ALL RIGHTS RESERVED UNDER THE COPYRIGHT LAWS.		TITLE CAPSTAN HOIST, 12V	
SIZE	DWG NO.	CAT / PART / ASSY NO.	REV
B	SA308-1172	C308-1172	--
DO NOT SCALE THIS DRAWING	DRN BY TLK	DATE 6/18/13	SHEET 1 OF 1